

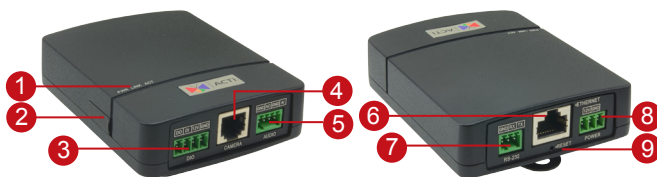
Q111

5MP Indoor Fisheye Covert with Basic WDR, Fixed Lens



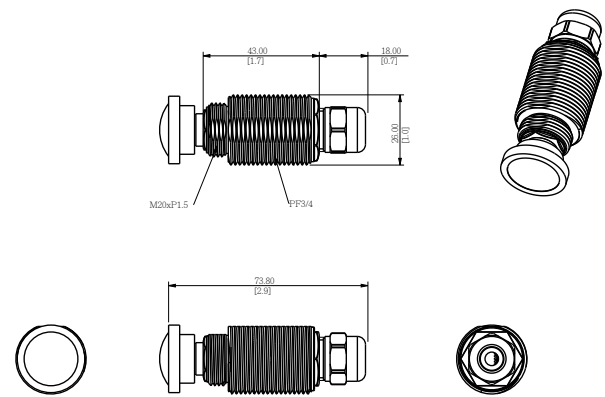
- 5 Megapixel with 1080p
- Fixed Lens with f1.19mm / F2.0
- Basic WDR (74 dB)
- 15 fps at 2592 x 1944
- 180/360° Fisheye View
- Vibration Proof (EN50155)

PHOTO INDICATION



- 1 LED Indicators
- 2 Memory Card Slot
- 3 Digital Input / Output
- 4 Camera Input
- 5 Audio-In / Audio-Out
- 6 Ethernet Port
- 7 Serial Port
- 8 DC 12V Power Input
- 9 Reset Button

DIMENSION DIAGRAM



ACCESSORY OPTIONS

Unit: mm [inch]

Power Supply		
PPOE-0001		IEEE 802.3af PoE Injector for Class 1, 2 or 3 devices, with universal adapter
PPBX-0002		AC 100-240V to DC 12V power adapter with universal connector

Popular Mounting Solutions			
Mount Type	Surface	Required Accessory	
Flush Mount	Ceiling Wall	Bundled Flush Mount	
Surface Mount	Hard Ceiling Wall	PMAX-1108	
Tilted Mount	Straight Wall	PMAX-1016	
Corner Mount	Corner	PMAX-0403	

* For more mounting solutions, please refer to Project Planner on www.acti.com



www.use-ip.co.uk
01304 827609

PRODUCT SPECIFICATION

Q111

• Device

Device Type	Indoor Fisheye Covert Camera
Image Sensor	Progressive Scan CMOS
Sensor Size	1/3.2"
Effective Pixels	2592 (H) x 1944 (V) (5.04 MP)
Day / Night	No
Low Light Sensitivity	No
Minimum Illumination	Color: 0.1 lux at F2.0 (30 IRE, 2400°K)
Mechanical IR Cut Filter	No
IR Sensitivity Range	No
Electronic Shutter	1/5 ~ 1/32,000 sec (manual mode); 1/5 ~ 1/32,000 sec (auto mode)
Horizontal Resolution	1350 TVL
S/N Ratio	52 dB

• Lens

Focal Length / Aperture	Fixed focal, f1.19mm / F2.0
Iris	Fixed iris
Focus	Fixed focus
Cable Type	RJ12 connector up to 12m from main unit
Horizontal Viewing Angle	189.67° (overview area), 115.7° (high detail area)

• Video

Compression	H.264 (Baseline / Main / High profile), MJPEG
Max. Frame Rate vs. Resolution	15 fps at 2592 x 1944; 15 fps at 2048 x 1536; 15 fps at 1440 x 1080; 15 fps at 1280 x 960; 15 fps at 800 x 600; 15 fps at 640 x 480; 15 fps at 320x240
Multi-Streaming	Simultaneous dual streams based on two configurations
Bit Rate	28 Kbps - 6 Mbps (per stream)
Bit Rate Mode	Constant, Variable
Image Enhancement	Basic WDR (74 dB); White balance: automatic, hold, and manual; Brightness; Contrast; Sharpness (auto); Auto gain control; 2D+3D digital noise reduction; Flickerless
Privacy Mask	4 configurable regions
Text Overlay	User defined text on video
Image Orientation	Image flip and mirror

• Audio

Compression	8 kHz, Mono, PCM, 16 bit encoding; G.711
Audio-In	Mic-in and line-in, Terminal block
Audio-Out	Line-out, Terminal block

• Network

Protocol & Service	TCP, UDP, HTTP, HTTPS, DHCP, PPPoE, RTP, RTSP, IPv4, IPv6, DNS, DDNS, NTP, ICMP, ARP, IGMP, SMTP, FTP, UPnP, SNMP, Bonjour
Ethernet Port	1, Ethernet (10/100 Base-T), RJ-45 connector
Security	IP address filtering; HTTPS encryption; Password protected user levels; Anonymous login; IEEE802.1X network access control

• Alarm

Alarm Trigger	Video motion detection (3 regions); External device through digital input; Sound detection
Alarm Response	Notify control center; Change camera settings; Command other devices; E-mail notification with snapshots; Save video or snapshot to local storage; Upload video or snapshot to FTP; Activate external device through digital output

• Interface

Digital Input	1, Terminal block
Digital Output	1, Terminal block
Serial Port	1, RS-232
Local Storage	MicroSDHC/MicroSDXC memory card slot (card not included)

• General

Power Source / Consumption	PoE Class 2 (IEEE802.3af) / 4.32 W DC 12V (adapter not included) / 3.6 W
Weight	0.635 kg (1.4 lb)
Dimensions (L x W x H)	100.33mm x 75mm x 25.5mm (3.95" x 2.95" x 1")
Environmental Casing	Vibration proof (EN50155)
Mount Type	Flush, Surface, Tilted Mount, Height Strip
Bundled Accessories	Flush mount, Surface mount, Tilted mount
Starting Temperature	-20°C ~ 50°C (-4°F ~ 122°F)
Operating Temperature	-30°C ~ 60°C (-22°F ~ 140°F)
Operating Humidity	10% ~ 85% RH
Approvals	CE (EN 55022 Class B, EN 55024), FCC (Part15 Subpart B Class B), EN50155, UL (for optional PoE injector and power adapter)

• Integration

Unified Solution	Fully compatible with ACTi software
ISV Integration	Software Development Kit (SDK) available; ONVIF compliant
GPS Position	Manual setting
Firmware Access Browser	Microsoft Internet Explorer 8.0 or newer (full functionality) Safari with QuickTime installed, and other browsers with VLC installed (partial functionality)

* All specifications are subject to change without notice.

* All brand names and registered trademarks are the property of their respective owners.

www.acti.com

