

XNP-6370RH

2M 37x Network IR PTZ Dome Camera

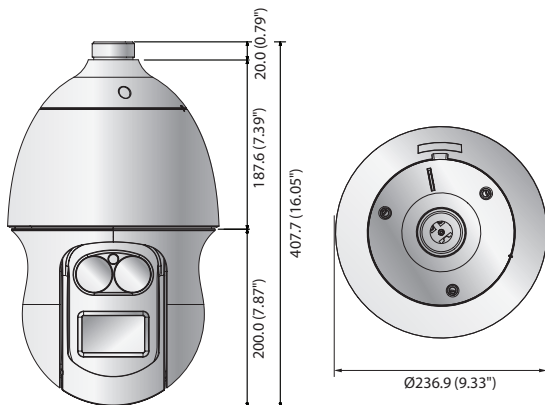


Key Features

- Max. 2megapixel (1920 x 1080) resolution
- 16 : 9 Full HD (1080p) resolution support
- 6 ~ 222mm (37x), 16x digital zoom
- H.265, H.264, MJPEG codec
- Multiple streaming
- WiseStream support
- Max. IR viewable length : 350m
- Day & Night (ICR), WDR (120dB)
- Auto tracking, Intelligent video analytics
- SD/SDHC/SDXC memory slot, Bi-directional audio support
- IP66, IK10

Dimensions

Unit : mm (inch)



Accessories (Optional)



XNP-6370RH	
VIDEO	
Imaging Device	1/1.9" 2.42M CMOS
Total / Effective Pixels	1,952(H) x 1,241(V) approx, 2.42M pixels / 1,937(H) x 1,097(V) approx, 2.12M pixels
Scanning System	Progressive scan
Min. Illumination	Color : 0.05Lux (1/30sec, F1.5) B/W : 0Lux (IR LED on)
S / N Ratio	50dB
Video Output	CVBS : 1.0 Vpp / 75Ω composite, 720 x 480(N), 720 x 576(P), for installation
LENS	
Focal Length (Zoom Ratio)	6 ~ 222mm (37x)
Max. Aperture Ratio	F1.5(Wide) ~ F4.6(Tele)
Angular Field of View	H : 59.3°(Wide) ~ 1.9°(Tele) / V : 35.8°(Wide) ~ 1.1°(Tele)
Min. Object Distance	1.5m (4.92ft)
Focus Control	AF / One-shot AF / Manual
Lens / Mount Type	DC auto iris / Board-in type
PAN / TILT	
Pan / Tilt Range	360° Endless / 190° (-5° ~ 185°)
Pan Speed	Preset : 400°/sec, Manual : 0.024°/sec ~ 250°/sec
Tilt Speed	Preset : 300°/sec, Manual : 0.024°/sec ~ 250°/sec
Sequence / Preset Accuracy	Preset (300ea), Swing, Group (6ea), Trace, Tour, Auto run, Schedule / ±0.2°
Azimuth	Yes (E / W / S / N / NE / SE / NW / SW OSD)
Auto Tracking	Off / On
OPERATIONAL	
Viewable Length	350m (1,148.29ft)
Camera Title	Off / On (Displayed up to 60 characters per line) - W/W : English / Numeric / Special characters - Korea : English / Numeric / Special / Korean characters - China : English / Numeric / Special / Chinese characters - Common : Multi-line (Max. 5), Color (Grey / Green / Red / Blue / Black / White), Transparency, Auto scale by resolution
Day & Night	Auto (ICR) / Color / B/W
Backlight Compensation	Off / BLC / WDR
Wide Dynamic Range	120dB
Contrast Enhancement	SSDR (Off / On)
Digital Noise Reduction	SSNR (2D+3D noise filter) (Off / On)
Defog	Off / Auto / Manual
Digital Image Stabilization	Off / On
Motion Detection	Off / On (4ea, Polygonal zones)
Privacy Masking	Off / On (16ea, Rectangular zones) - Color : Grey / Green / Red / Blue / Black / White, - Zoom ratio option for mask mode
Gain Control	Off / Low / Medium / High
White Balance	ATW / AWC / Manual / Indoor / Outdoor / Mercury / Sodium
Electronic Shutter Speed	Minimum / Maximum / Anti flicker (2 ~ 1/12,000sec)
Digital Zoom	16x, area zoom function support digital zoom 2x
Rotate Image	Flip : On/Off / Mirror : On/Off
Intelligent Video Analytics	Tampering, Crossing, Enter/Exit, Appear(Disappear), Audio Detection
Alarm I/O	Input 4ea / Output 2ea (Relay type)
Remote Control Interface	RS-485/422
RS-485 Protocol	Samsung-T/E, Pelco-D/P, Panasonic, Honeywell, AD, Vicon, GE, Bosch
Alarm Triggers	Alarm input, Motion detection, Intelligent video analytics, Network disconnect
Alarm Events	File upload via FTP and E-mail, Notification via E-mail, Local storage (SD/SDHC) or NAS recording at event triggers, External output, PTZ preset
Pixel Counter	Support (Plug-in viewer only)
NETWORK	
Ethernet	RJ-45 (10/100BASE-T), SFP (* Only using SBP-302HF)
Video Compression Format	H.265/H.264 (MPEG-4 Part 10/AVC) : Main/Baseline/High, MJPEG
Resolution	1,920 x 1,080, 1,280 x 1,024, 1,280 x 960, 1,280 x 720, 1,024 x 768, 800 x 600, 800 x 448, 720 x 576, 720 x 480, 640 x 480, 640 x 360, 320 x 240
Max. Framerate	H.265 / H.264 : Max. 60fps at all resolutions, MJPEG : Max. 15fps at all resolutions
Smart Codec / WiseStream	Manual mode (Area-based : 5ea) / Support
Video Quality Adjustment	H.265 / H.264 / MJPEG : Target bitrate level control
Bitrate Control Method	H.265 / H.264 : CBR or VBR, MJPEG : VBR
Streaming Capability	Multiple streaming (Up to 3 profiles)
Audio In	Selectable (Mic in / Line in), Supply voltage : 25V DC (4mA), Input impedance : approx. 2K Ohm
Audio Out	Line out (3.5mm stereo mini jack), Max output level : 1 Vrms
Audio Compression Format	G.711 u-law/G.726 selectable, G.726 (ADPCM) 8KHz, G.711 8KHz G.726 : 16Kbps, 24Kbps, 32Kbps, 40Kbps, AAC-LC : 48Kbps at 16KHz
Audio Communication / IP	Bi-directional audio (2-way) / IPv4, IPv6
Protocol	TCP/IP, UDP/IP, RTP(UDP), RTP(TCP), RTCP, RTSP, NTP, HTTP, HTTPS, SSL/TLS, DHCP, PPPoE, FTP, SMTp, IGMP, IGMP, SNMPv1/v2c/v3(MIB-2), ARP, DNS, DDNS, QoS, PIM-SM, UPnP, Bonjour
Security	HTTPS(SSL) login authentication, Digest login authentication IP address filtering, User access log, 802.1x authentication (EAP-TLS, EAP-LEAP)
Streaming Method	Unicast / Multicast
Max. User Access	15 users at unicast mode
Edge Storage	SD/SDHC/SDXC (128GB) - Motion images recorded in the SD/SDHC/SDXC memory card can be downloaded, Camera can detect automatically when the memory is connected, Memory status display (Normal / Error / Active / Formatting / Lock), NAS (Network Attached Storage), Local PC for instant recording (Plug-in viewer only)
Application Programming Interface	ONVIF profile S/G, SUNAPI (HTTP API), SVNP 1.2, Wisenet Open Platform
Webpage Language	English, Korean, Chinese, French, Italian, Spanish, German, Japanese, Russian, Swedish, Portuguese, Czech, Polish, Turkish, Dutch, Hungarian, Greek Supported OS: Windows 7, 8.1, 10, Mac OS X 10.9, 10.10, 10.11 Plug-in Free Webviewer - Supported Browser: Google Chrome 54, MS Edge 38, Mozilla Firefox 49(Window 64bit only), Apple Safari 9 (Mac OS X only) - Support Codec : Video-H.264, MJPEG (Max. 1M 15fps) Plug-in Webviewer - Supported Browser : MS Explore 11, Apple Safari 9 (Mac OS X only)
Web Viewer	SmartViewer, SSM
Central Management Software	
ENVIRONMENTAL	
Operating Temperature / Humidity	-50°C ~ +55°C (-58°F ~ +131°F) / Less than 90% RH
Storage Temperature / Humidity	-50°C ~ +60°C (-58°F ~ +140°F) / Less than 90% RH
Ingress Protection / Vandal Resistance	IP66 / IK10
ELECTRICAL	
Input Voltage / Current	24V AC
Power Consumption	Max. 60W/90W (Heater off/on, IR on)
MECHANICAL	
Color / Material	Ivory, Black / Aluminum, Plastic
Dimensions (WxH) / Weight	Ø236.9 x 407.7mm (Ø9.33" x 16.05") / 7.1Kg (15.65 lb)

* The latest product information / specification can be found at hanwha-security.com
* Design and specifications are subject to change without notice.