

# 2/4/5 Megapixel H.265+ Mini PoE PTZ Bullet Network Camera



UI-2A61-EPCV/UI-4C61-EPCV/  
UI-5D61-EPCV

DATASHEET

## KEY FEATURES

- ▶ **H.265<sup>+</sup>** (70~80% reduction in bandwidth, storage and bit rate compared with H.264.)
- ▶ **Smart IR II** (Combining the High Beam and Low Beam to adjust IR intensity to fit different lighting conditions.)
- ▶ **140dB Super WDR** (Excellent performance even when the ratio of the luminosity of brightest and darkest is up to 140dB.)
- ▶ **Smart PTZ Motion Detection** (Pan and tilt to the position of motion detected area automatically and zoom in synchronously.)
- ▶ **255 Preset Positions** (The user can easily control the lens position via mouse to monitor interested area and set up to 255 preset positions for patrolling.)
- ▶ **Keyboard Control** (Shortcut keys for PTZ control via Milesight Keyboard.)
- ▶ **Breathable Screw-in Vent** (High weather-proof and air permeable performance to reduce fogging, condensation and eliminate moisture.)

## Video Content Analysis

Milesight VCA with 8 detection modes provides advanced, accurate smart video analysis for Milesight network cameras, enabling the comprehensive surveillance function and quicker response to different monitoring scenes.

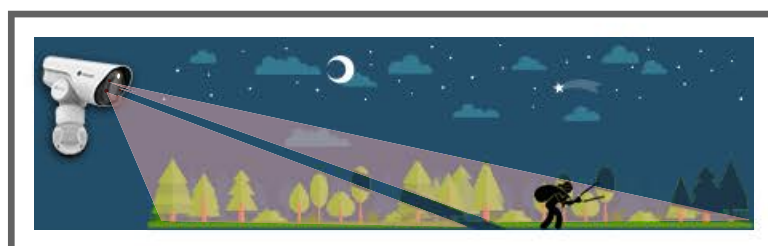
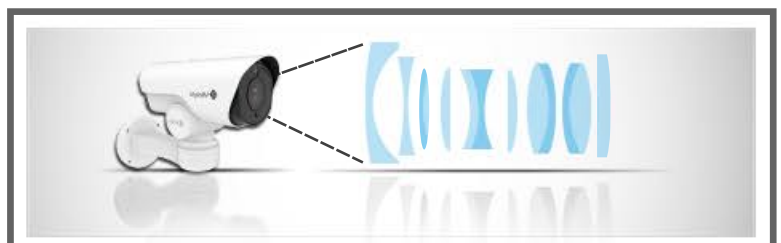


## 0.002Lux Ultra Low-light

The starlight camera is able to deliver high detailed color images even in low light environment reaching 0.002Lux(Color) or 0Lux(B/W), and near infrared light environments without any supplementary lighting.

## 12x Optical Zoom

The 12x optical zoom can zoom up to distant subjects while still maintaining the clarity, delivering high quality video over the entire zoom range.



## IR LEDs & White LED

Enable 100 meters distinct images at night with IR LEDs as well as express alarm and deliver colorful surveillance with the White LED.

# 12x H.265 Mini (PoE) PTZ Bullet Network Camera

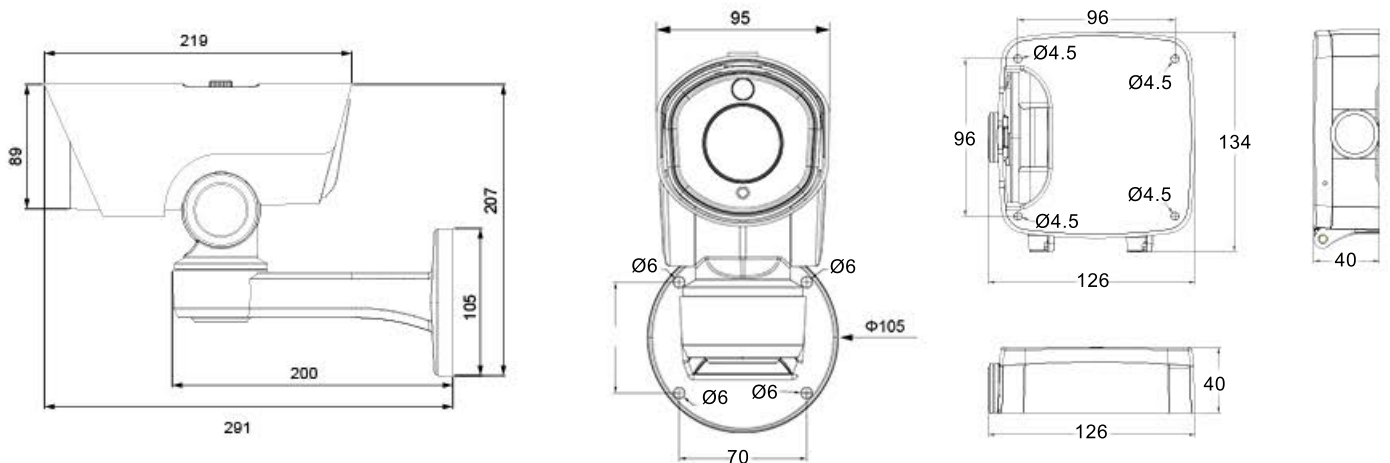
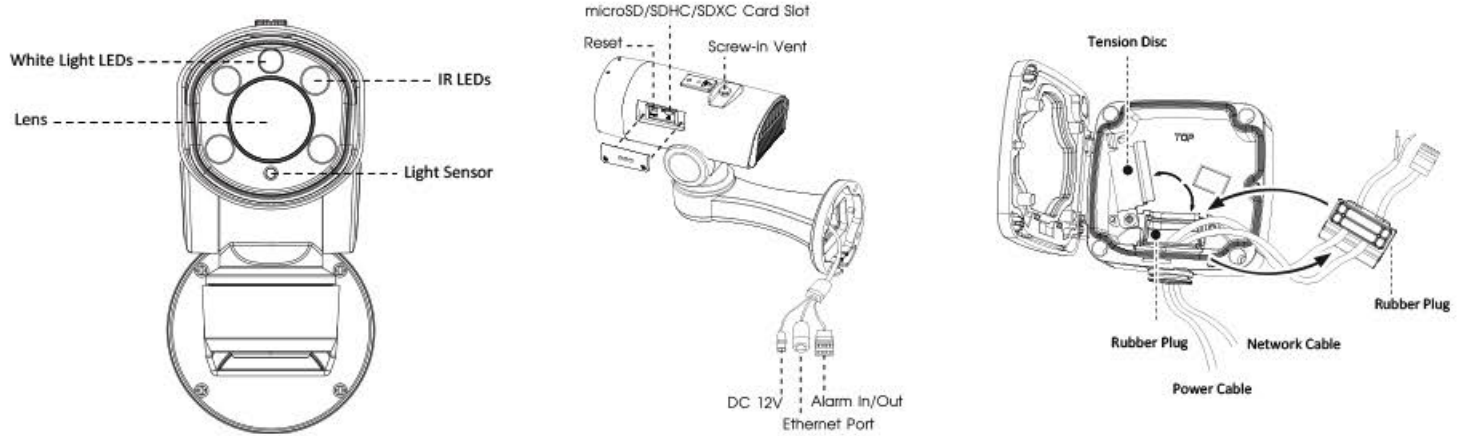


|                          | Model                 | UI-2A61-(R)EPCV (2MP)  | UI-4C61-(H)EPCV (4MP)  | UI-5D61-EPCV (5MP)  |
|--------------------------|-----------------------|--|--|---|
| Camera                   | Image Sensor          | 1/2.8" Progressive Scan CMOS   | 1/3" Progressive Scan CMOS   | 1/2.8" Progressive Scan CMOS  |
|                          | Min. Illumination     | Color: 0.002Lux@F1.2<br>B/W: 0Lux with IR on   | Color: 0.008Lux@F1.2<br>B/W: 0Lux with IR on   | Color: 0.005Lux@F1.2<br>B/W: 0Lux with IR on  |
|                          | WDR                   | Super WDR up to 140dB  | Super WDR up to 120dB  |   |
|                          | Shutter Time          | 1/100000s~1/5s   |  |   |
|                          | IR Distance           | Up to 100m   |  |   |
|                          | Digital Zoom          | 16x  |  |   |
|                          | Day&Night             | ICR Filter Auto Switch   |  |   |
|                          | Lens                  | Focal Length   | 5.3~64mm, 12x Optical Zoom   |   |
| Zoom Speed               |                       | 3.1s   |  |   |
| Field of View            |                       | H61°~H5°/D69°~D5°/V36°~V2°   | H57°~H4°/D65°~D5°/V35°~V2°   | H57°~H4°/D69°~D5°/V44°~V1°  |
| Minimum Working Distance |                       | 1000~1500mm (Wide-Tele)  |  |   |
| Aperture                 |                       | F1.6~F2.8  |  |   |
| PTZ                      | Pan Range             | 360°endless  |  |   |
|                          | Pan Speed             | Pan Manual Speed: 0.2°~60°/s, Pan Preset Speed 100°/s  |  |   |
|                          | Tilt Range            | -45°~30°   |  |   |
|                          | Tilt Speed            | Tilt Manual Speed: 0.2°~30°/s, Tilt Preset Speed 60°/s   |  |   |
|                          | Proportional Zoom     | Support  |  |   |
|                          | Preset Quantity       | 255  |  |   |
|                          | Patrol                | 8 Patrols, up to 48 presets each patrol  |  |   |
|                          | Pattern               | 4 Patterns   |  |   |
|                          | Power Loss Recovery   | Support  |  |   |
|                          | PTZ Position Display  | ON/OFF   |  |   |
| 3D Positioning           | Support               |  |  |   |
| Video                    | Max. Image Resolution | 1920×1080  | 2592×1520  | 2560×1920   |
|                          | Primary Stream        | 60fps@(1920×1080)(Optional),<br>30fps@(1920×1080, 1280×960,<br>1280×720, 704x576)  | 30fps@(2592×1520)(Optional),<br>20fps@(2592×1520),<br>30fps@(2304x1296, 1920×1080,<br>1280×960, 1280×720, 704x576) | 20fps@(2560×1920, 2592×1520),<br>30fps@(2304x1296, 1920×1080,<br>1280×960, 1280×720, 704x576) |
|                          | Secondary Stream      | 30fps@(704x576, 640×480, 640×360, 352x288, 320x240, 320x192, 320x176)  |  |   |
|                          | Tertiary Stream       | 30fps@(1920×1080, 1280×720, 704×576, 640×480, 640×360, 320×240, 320x192, 320x176)  |  |   |
|                          | Video Compression     | H.265 <sup>+</sup> /H.265(HEVC)/H.264 <sup>+</sup> /H.264/MJPEG  |  |   |
|                          | Video Bit Rate        | 16Kbps~16Mbps(CBR/VBR Adjustable)  |  |   |
|                          | Image Setting         | Brightness/Contrast/Saturation/Sharpness   |  |   |
| Network                  | Ethernet              | 1*RJ45 10M/100M Ethernet Port  |  |   |
|                          | Network Storage       | NAS(Support NFS, SMB/CIFS)   |  |   |
|                          | Protocol              | IPv4/IPv6, TCP, UDP, RTP, RTSP, RTCP, HTTP, HTTPS, DNS, DDNS, DHCP, FTP, NTP, SMTP, SNMP, UPnP, SIP, PPPoE, VLAN, 802.1x, QoS            |  |   |
| System                   | Alarm I/O             | 1/1  |  |   |
|                          | Storage               | Support microSD/SDHC/SDXC Card Local Storage, up to 128G   |  |   |
|                          | Advanced Function     | Motion Detection, Privacy Masking, Backlight Compensation, HLC, 3D-DNR, ROI, Anti-fog  |  |   |
|                          | SIP/VoIP Support      | Yes, Voice & Video-over-IP   |  |   |
|                          | Event Trigger         | Motion Detection, Network Disconnection, External Input, etc.  |  |   |
|                          | Event Action          | FTP Upload/ SMTP Upload/ SD Card Record/ External Output/ SIP Phone/ White LED/ PTZ Motion   |  |   |
|                          | Video Analysis        | Region Entrance, Region Exiting, Advanced Motion Detection, Tamper Detection, Line Crossing, Loitering, Human Detection, People Counting |  |   |
| System Compatibility     | ONVIF Profile S & G   |  |  |   |
| General                  | Working Temperature   | -40~60   |  |   |
|                          | Working Humidity      | 0~90%(Non-condensing)  |  |   |
|                          | Power Supply          | DC 12V±10% / PoE (802.3at)(Optional)   |  |   |
|                          | Power Consumption     | 10.5W MAX<br>20W MAX (With IR on)  |  |   |
|                          | Weather Proof         | Up to IP66-rated for Weather-resistant Performance   |  |   |
|                          | Weight                | 2Kg  |  |   |
|                          | Dimensions            | 160mmX273.5mmX210mm  |  |   |
|                          | Warranty              | 2 Years  |  |   |

# H.265+Mini PoE PTZ Bullet Network Camera



## Structure Diagrams



Units: mm

## Accessories Support

A01-N Pole mount with stainless steel straps  
Weight: 730g  
Dimensions: 170\*51.5\*152.6



A62 Junction box  
Weight: 510g  
Dimensions: 134\*127\*40mm



## Naming Convention



Milesight Technology Co.,Ltd. | [www.milesight.com](http://www.milesight.com)



Add: 7509 N.W. 36th Street, Miami, Florida 33166, USA  
Tel: +1-305-764-3474  
Mail: sales@milesightusa.com

Add: 9F/901, Star Valley B/D Digital-ro 9gil 99, Geumcheon-gu, Seoul, Korea  
Tel: +82-070-8996-8940  
Mail: charley@milesight.co.kr

Add: No.23 Wanghai Road, 2nd Software Park, Xiamen, China  
Tel: +86-592-5922772  
Mail: sales@milesight.com

