

VARIO2 Lighthouse Kit (VLK) Fully Integrated Illumination & Camera Housing



- Full Lighting System with Camera Housing
- Infra-Red, White-Light or Hybrid Illuminators
- Accommodates up to 2 Cameras : IP or Analogue
- Cable-managed, Pre-wired and Integrated Bracketry
- Adaptive Illumination™
- Distances up to 282m (925ft)
- PLATINUM Elite SMT LED Technology
- Hot-spot Reduction Technology (HRT)
- VARIO Interchangeable Lens System
- VARIO Remote Control (optional)

The VARIO2 Lighthouse Kit (VLK) is a fully integrated lighting, camera housing and mounting bracket solution. It allows two inbuilt VARIO2 LED illuminators (available in Infra-Red, White-Light or Hybrid) to be integrated easily with up to two IP or Analogue cameras (cameras not provided) for a variety of applications including video surveillance and ANPR/LPR

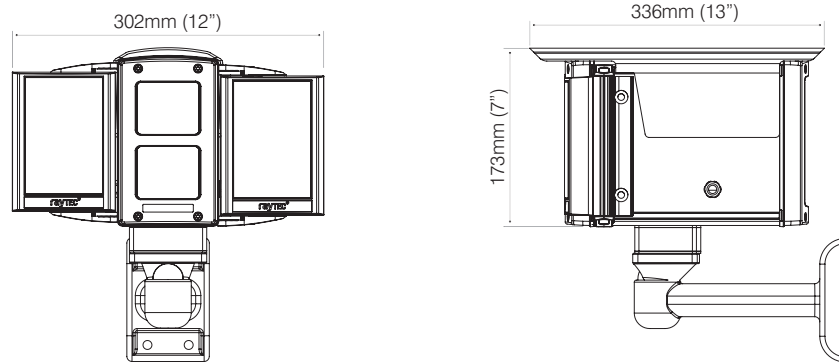
The VLK uses PLATINUM Elite SMT LEDs to deliver world leading power and illumination distances. Every model incorporates standard VARIO2 family features, including an interchangeable lens system with hot-spot reduction technology (HRT) for outstanding night-time images and advanced security settings. With the optional hand-held remote control, VARIO2 VLK also makes installation and commissioning quicker, easier and safer.

VLK provides integrated bracketry for easy mounting. It is cable managed and pre-wired with power/aux cable and CAT5e cable.

The VARIO2 VLK delivers maximum distances of : i6 series - 282m (925ft), i4 series - 220m (722ft), w4 series - 155m (509ft), and hy6 series - 254m (833ft).

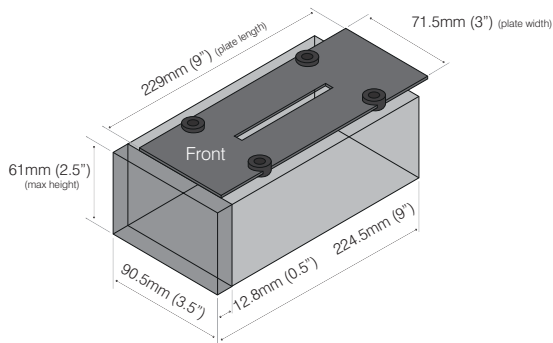
Product Dimensions

External Dimensions

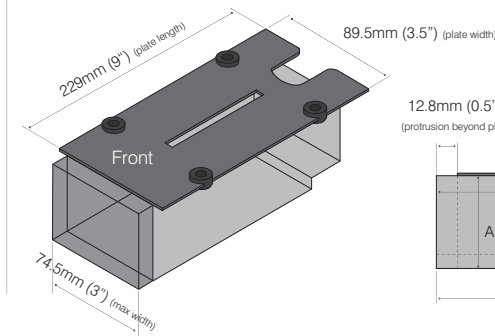


Internal Camera Space Dimensions (mounting plates provided)

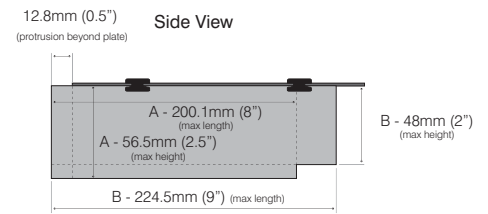
Top Maximum Camera Space
 224.5 x 61 x 90.5mm (L x H x W)
 9" x 2.5" x 3.5" (L x H x W)



Bottom Maximum Camera Space
 Option A - 200.1 x 56.6 x 74.5mm (L x H x W)
 Option A - 8" x 2.5" x 3" (L x H x W)



Option B - 224.5 x 48 x 74.5mm (L x H x W)
 Option B - 9" x 2" x 3" (L x H x W)



Features

Infra-Red, White-Light or Hybrid LED Illuminators

Accommodates up to 2 Cameras: IP or Analogue

Cable managed, Integrated bracket and fully Pre-wired

Integrated Control Interface

VARIO Interchangeable lens system

Hot-spot Reduction Technology (HRT)

VARIO Remote Control (optional)

Platinum Elite SMT LED Technology

Benefits

Lighting for a wide range of applications - Infra-Red for surveillance, White-Light for deterrent or enhanced colour picture information and Hybrid for the best of both

Designed for a variety of uses. Ideal for Video Surveillance and ANPR/LPR.

Easy mounting and installation, quick and convenient to wire and set-up

Flexible set up enables the user to achieve exact application requirements. Easily configured camera and lighting integration. Lighting triggered on demand via camera, detector or alarm – and many more integration scenarios.

Angle of illumination can be easily, quickly and precisely adjusted by changing the VARIO holographic lens insert, to match the specific camera field of view.

HRT - Hot-Spot Reduction Technology delivers a highly diffused, elliptical beam shape to deliver more light where it is needed, generating both longer distances and minimizing light wastage. The HRT system also prevents overexposure of foreground objects.

Allows set up quickly and safely from ground level and provides access to advanced set up features. Reduces both cost and time of installation and commissioning.

VARIO2 illuminators use cutting edge PLATINUM Elite SMT LED technology together with an enhanced Cool Running™ thermal management system to deliver World leading power, reliability and flexibility.

Technical Specifications

Illuminator

Model	VLK-i6	VLK-i4	VLK-w4	VLK-hy6
Max Distance	282m (925ft)	220m (722ft)	155m (509ft)	254m (833ft)
Consumption	61W (inc approx. Camera 6W and Camera heater 5W) 25W per LED panel	37W (inc approx. Camera 6W and Camera heater 5W) 13W per LED panel	59W (inc approx. Camera 6W and Camera heater 5W) 24W per LED panel	53W (inc approx. Camera 6W and Camera heater 5W) 21W per LED panel
Input	15 - 24V AC/DC			24V DC
LED Type	PLATINUM Elite SMT LEDs			PLATINUM Elite twin-core SMT LEDs
Number of LEDs	24	18	24	12x Infra-Red, 12 x White-Light
Wavelength	850nm	850nm (940nm options available)	White-Light	850nm and White-Light
Total Lumens	n/a	n/a	3726lm	2980lm
Colour Temp	n/a	n/a	6000K ~	6000K ~
Colour Reproduction Index	n/a	n/a	> 70	> 70
Illumination Angle	Standard pack includes 10 circular+ 35 x 10 (fitted as standard) and 60 x 25 elliptical lenses Additional optional lenses: 80 x 30 and 120 x 50			
Beam Shape	Elliptical with HRT (Hot-spot Reduction Technology)			
Beam Angle System	VARIO Interchangeable Lens System			
IP Rating	IP66			
Temperature Range	- 50° to +50°C (-58 to 122°F)			
Colour	Black			
Weight	5.4kg (12lbs) inc. wires and bracket			
Dimensions (LxWxH)	336 x 302 x 173mm - excluding bracket (13.2" x 11.9" x 6.8" approx)			
Internal Camera Space Dimensions	See Page 2 Diagram			
Drilling Dimensions	4 x M5 holes 40x62mm (1.57 x 2.44")			
Cable	Cat5e 8 x 24AWG and Power/Aux 6-core			
Cable Length	4m (13ft)			
Bracketry	Integrated wall bracket, cable managed and pre-wired as standard (Optional pole mount and wall mount brackets available)			
Country of Manufacture	United Kingdom			

Integrated Command and Control Technology

Integrated Standard Features	<ul style="list-style-type: none"> • Power adjust from 20-100% • In-built photocell for automatic on/off operation • Photocell following output • Photocell sensitivity adjust • Telemetry input • LED status indicator provides status on performance of the unit • LED status indicator on/off • Disable programming mode
Advanced Features (accessed via VARIO remote control)	<ul style="list-style-type: none"> • Timer function (up to 30 mins) • Telemetry control • Remote Dimming • Restore factory default settings • Optional PIN to lock in settings and limit access • Remote Control can be disabled for improved security

Optional VARIO PSU (to power VLK illuminators and cameras)

100-230V AC input
Max Consumption 100W
24V Output
Cat5e Termination and connections for input/output

POWERS – The Open Lighting Standard

Specifications and distances based on the POWERS lighting standard
For full POWERS data and A&E specifications please contact sales@rayteccctv.com

Product Codes

Part Codes	Description	Angles	Distances
VAR2-VLK-i6-2	VARIO2 Lighthouse Kit i6, 2x 850nm, 3 angle options, Cat5e and power/aux cable	10 x 10 °	282m (925ft)
		35 x 10° (fitted as standard)	169m (554ft)
		60 x 25°	99m (325ft)
		80 x 30° (optional)	71m (233ft)
		120 x 50° (optional)	42m (138ft)
VAR2-VLK-i4-2	VARIO2 Lighthouse Kit i4, 2x 850nm, 3 angle options, Cat5e and power/aux cable	10 x 10 °	220m (722ft)
		35 x 10° (fitted as standard)	120m (394ft)
		60 x 25°	76m (249ft)
		80 x 30° (optional)	51m (167ft)
		120 x 50° (optional)	34m (112ft)
VAR2-VLK-w4-2	VARIO2 Lighthouse Kit w4, 2x White-Light, 3 angle options, Cat5e and power/aux cable	10 x 10 °	155m (509ft)
		35 x 10° (fitted as standard)	92m (302ft)
		60 x 25°	49m (161ft)
		80 x 30° (optional)	35m (115ft)
		120 x 50° (optional)	25m (82ft)
VAR2-VLK-hy6-2	VARIO2 Lighthouse Kit hy6, 2x 850nm and White-Light, 3 angle options, Cat5e and power/aux cable	10 x 10 °	254m (833ft) IR and 124m (407ft) WL
		35 x 10° (fitted as standard)	152m (499ft) IR and 73m (240ft) WL
		60 x 25°	89m (292ft) IR and 39m (128ft) WL
		80 x 30° (optional)	63m (207ft) IR and 28m (92ft) WL
		120 x 50° (optional)	38m (125ft) IR and 20m (66ft) WL

940nm options and Single LED panel options available - Contact Raytec

Thermal Lighting and Housing Solution available

For thermal camera installations please contact Raytec.

Optional Parts

VAR-PSU-2x8	VARIO PSU - 24V, 100W, 2x O/P
VAR-rc	Remote Control for any VARIO2 Illuminator (only 1 remote needed)
VAR-i6-LENS-8030	Individual i6 VARIO lens – 80°H x 30°V
VAR-i6-LENS-12050	Individual i6 VARIO lens – 120°H x 50°V
VAR-i4-LENS-8030	Individual i4 VARIO lens – 80°H x 30°V
VAR-i4-LENS-12050	Individual i4 VARIO lens – 120°H x 50°V
VAR-w4-LENS-8030	Individual w4 VARIO lens – 80°H x 30°V
VAR-w4-LENS-12050	Individual w4 VARIO lens – 120°H x 50°V

5 YEAR WARRANTY

All Raytec luminaires are provided with an industry leading 5 year warranty and have an expected useful life in excess of 10 years

