

# ROADWAY ANPR

Out of Box



The Wisenet Roadway ANPR camera  
comes with an FF Group pre-installed Application

# Roadway Licence Plate Recognition - with outstanding accuracy

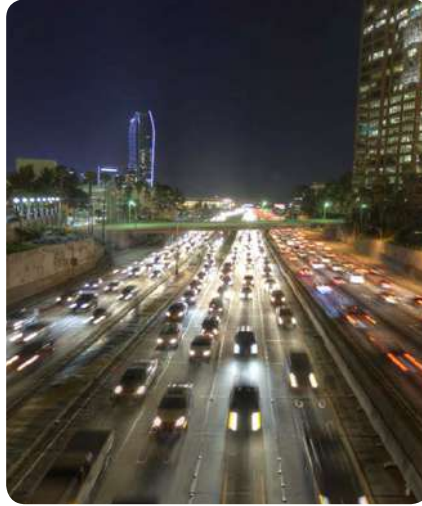
Traffic monitoring and crime prevention using license plates recognition and recording its results. Working as an executive unit control device in a stand-alone entry and exit vehicles access system.

## Outstanding recognition accuracy

More than 95% recognition accuracy in any environment or conditions.

## High vehicle speed

Guaranteed for vehicles at a maximum speed of up to 80kmph on two lanes at night-time and up to 150 kmph on a single lane during daylight hours.



## All European countries

Reliably detects number plates from all European countries.

## Easy setup

Simple, clear and user-friendly installation, setup and adjusting.

## Black and White list support

User can define up to 2000 number plates in black and white list.

# XNO-6120R/FNP

2M Network IR Bullet Camera

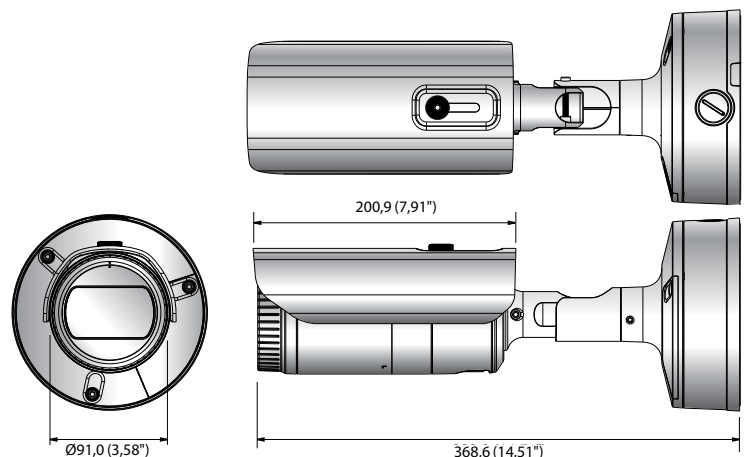


## Key Features

- Max. 2 Megapixel (1920 x 1080) resolution
- 5.2 ~ 62.4mm (Optical 12X) Optical Lens
- Max. 60fps@all resolutions (H.265 / H.264)
- H.265, H.264, MJPEG Codec Supported, Multiple streaming
- Loitering, Directional detection, Fog Detection, Audio detection, Sound Classification, Tampering
- Motion Detection, Handover
- SD / SDHC / SDXC 2 Slot (Max. 512GB)
- Hallway View, WiseStreamII Support
- IR Viewable Length 70m (229.66ft), IP67 / IP66, NEMA 4X, IK10
- LDC Support (Lens Distortion Correction)
- PoE , 24V AC, 12V DC, Bi-directional audio Support

## Dimensions

Unit : mm (inch)



XNO-6120R/FNP	
IR LED Viewable Length	1) 20m (Licence plate capture) 2) Max. 50km/h
Operating Temperature / Humidity	-20°C ~ +50°C / Less than 90% RH

©2016 Hanwha Techwin Europe Ltd. All rights reserved.

DESIGN AND SPECIFICATIONS ARE SUBJECT TO CHANGE WITHOUT NOTICE  
Under no circumstances, this document shall be reproduced, distributed or changed, partially or wholly, without formal authorisation of Hanwha Techwin Europe Ltd.  
Wisenet, LiteNet, SSSNR are trademarks of Hanwha Techwin Europe Ltd.

