



V series **FD8167A**
Fixed Dome Network Camera

2MP · 20M IR · Smart Stream II · SNV · Defog · VIVOCLOUD

VIVOTEK FD8167A is an easy-to-use fixed dome network camera specifically designed for indoor security applications with a compact, stylish exterior. Equipped with a 2MP sensor enabling viewing resolution of 1920x1080 at a smooth 30 fps, the FD8167A is an all-in-one camera capable of capturing high quality and high resolution video up to 2 Megapixel even in low light environments.

The FD8167A features VIVOTEK's sophisticated Smart Stream II technology, allowing the camera to optimize image quality for desired regions, and thus ensure maximum efficiency of bandwidth usage and savings of up to 50% on bandwidth and storage requirements.

In order to adapt to constantly changing outdoor lighting conditions, the FD8167A features a removable IR-cut filter as well as IR illuminators effective up to 20M for superior image quality around the clock. Incorporating a number of advanced features standard for VIVOTEK cameras, including video rotation, defog, a dedicated MicroSD/SDHC/SDXC card slot, and VIVOTEK's 32-channel recording software, the FD8167A is the ideal solution for your indoor surveillance needs.

Key Features

- 2-Megapixel CMOS Sensor
- 30 fps @ 1920x1080
- Real-time H.264, MJPEG Compression (Dual Codec)
- Removable IR-cut Filter for Day & Night Function
- Built-in IR Illuminators, Effective up to 20 Meters
- Built-in 802.3af Compliant PoE
- Built-in MicroSD/SDHC/SDXC Card Slot for On-board Storage
- Supports ONVIF Standard to Simplify Integration and Enhance Interoperability
- SNV (Supreme Night Visibility)
- Smart Stream II to Optimize Bandwidth Efficiency
- 3D Noise Reduction
- Smart IR Technology to Avoid Overexposure
- VIVOCLOUD Mobile App



Without Smart Stream II

With Smart Stream II



Library



Bank



Ordinary Camera



VIVOTEK SNV Camera



Low Light



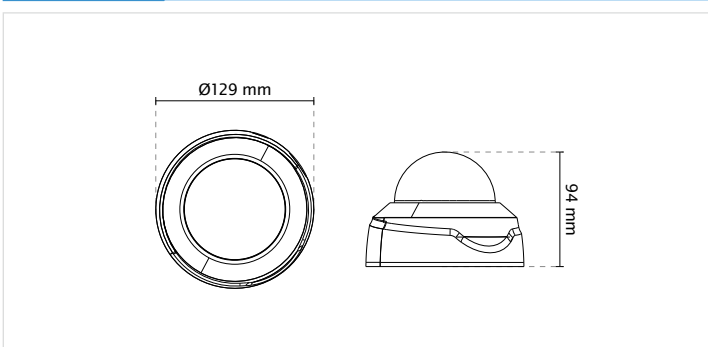
Restaurant

Technical Specifications

Model	FD8167A
System Information	
CPU	Multimedia SoC (System-on-Chip)
Flash	128MB
RAM	256MB
Camera Features	
Image Sensor	1/2.9" Progressive CMOS
Maximum Resolution	1920x1080 (2MP)
Lens Type	Vari-focal, Manual
Focal Length	f = 2.8 ~12mm
Aperture	F1.4~F2.4
Auto-iris	DC-iris
Field of View	33.1°~96.6° (Horizontal) 18.9°~53.4° (Vertical) 35.3°~101.9° (Diagonal)
Shutter Time	1/5 sec. to 1/32,000 sec.
WDR Technology	WDR Enhanced
Day/Night	Removable IR-cut filter for day & night function
Minimum Illumination	0.05 Lux @ F1.4 (Color) 0.01 Lux @ F1.4 (B/W)
Pan/Tilt/Zoom Functionalities	ePTZ: 48x digital zoom (4x on IE plug-in, 12x built-in)
IR Illuminators	Built-in IR illuminators, effective up to 20 meters with Smart IR LED*8
On-board Storage	Slot type: MicroSD/SDHC/SDXC card slot Seamless Recording
Video	
Compression	H.264 & MJPEG
Maximum Frame Rate	30 fps @ 1920x1080 In both compression modes
Maximum Streams	4 simultaneous streams
S/N Ratio	70.9 dB
Dynamic Range	69.4 dB
Video Streaming	Adjustable resolution, quality and bitrate Smart Stream II
Image Settings	Time stamp, text overlay, flip & mirror Configurable brightness, contrast, saturation, sharpness, white balance, exposure control, gain, backlight compensation, privacy masks Scheduled profile settings, 3D noise reduction, video rotation, defog
Network	
Users	Live viewing for up to 10 clients
Protocols	IPv4, IPv6, TCP/IP, HTTP, HTTPS, UPnP, RTSP/RTP/RTCP, IGMP, SMTP, FTP, DHCP, NTP, DNS, DDNS, PPPoE, CoS, QoS, SNMP, 802.1X, UDP, ICMP, ARP, SSL, TLS, CIFS/SMB
Interface	10 Base-T/100 BaseTX Ethernet (RJ-45) *It is highly recommended to use standard CAT5e & CAT6 cables which are compliant with the 3P/ETL standard.

ONVIF	Supported, specification available at www.onvif.org
Intelligent Video	
Video Motion Detection	Five-window video motion detection
Alarm and Event	
Alarm Triggers	Motion detection, manual trigger, periodical trigger, system boot, recording notification, camera tampering detection
Alarm Events	Event notification using HTTP, SMTP, FTP, NAS server and MicroSD card File upload via HTTP, SMTP, FTP, NAS server and MicroSD card
General	
Connectors	RJ-45 for Network/PoE connection
LED Indicator	System power and status indicator
Power Input	IEEE 802.3af PoE Class 0
Power Consumption	Max: 8.5 W
Dimensions	Ø 129 x 94 mm
Weight	Net: 416.4 g
Safety Certifications	CE, LVD, FCC Class B, VCCI, C-Tick, UL
Operating Temperature	Starting Temperature: 0°C ~ 50°C (32°F ~ 122°F) Working Temperature: -10°C ~ 50°C (14°F ~ 122°F)
Humidity	90%
Warranty	36 months
System Requirements	
Operating System	Microsoft Windows 8/7
Web Browser	Internet Explorer 10/11 Chrome version 58.0.3029 or above
Other Players	VLC: 1.1.11 or above QuickTime: 7 or above
Included Accessories	
Others	Quick installation guide, alignment sticker, screw pack

Dimensions



Compatible Accessories

Mounting Kits



AM-21A
L-shape Bracket



AM-528
Mounting Adapter



AM-51D
Adapter Ring

Cloud-based Solution

