

## GV-BL4702 4MP H.265 Super Low Lux WDR Pro IR Bullet IP Camera



- 1/3" progressive scan super low lux CMOS
- Min. illumination at 0.02 lux
- Triple streams from H.265, H.264, and MJPEG
- Up to 20 fps at 2592 x 1520, 24 fps at 2560 x 1440, 30 fps at 2048 x 1520
- Intelligent IR
- IR distance up to 50 m (164.04 ft)
- Removable IR-cut filter for Day/Night function
- Vandal resistance (IK10 for metal casing)
- Ingress protection (IP67)
- Tolerant to extreme temperatures (-30°C ~ 60°C/-22°F ~ 140°F)
- One sensor input and alarm output
- Built-in micro SD card slot (SD/SDHC/SDXC/UHS-I, Class 10) for local storage
- 2-way audio
- Wide Dynamic Range Pro (WDR Pro)
- 3D noise reduction
- Defog
- Motion detection
- Tampering alarm
- Privacy mask
- IP address filtering
- DC 12V / AC 24V / PoE (IEEE 802.3af)
- Supports iPhone, iPad, Android & 3GPP
- 31 languages on Web interface
- ONVIF (Profile S) conformant

\* No Memory Card Slot & local storage function for Argentina.



### Introduction

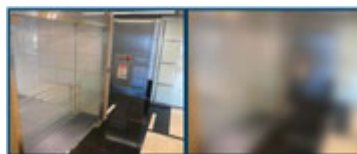
GV-BL4702 Series is specifically designed for outdoors. It adheres to the IP67 standard and has full protection against dust and jets of water. The camera can support H.265 video codec to achieve better compression ratio while maintaining high quality pictures at reduced network bandwidths. GV-BL4702 Series is capable of providing a color live view not only in near darkness but also under contrasting light intensities with its super low lux CMOS image sensor and WDR pro. It is also equipped with a P-Iris, which allows for precise control of exposure, producing images with better clarity and contrast.

### Active Tampering Alarm

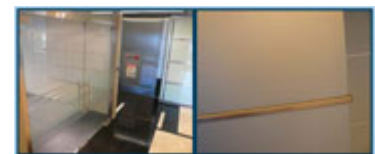
Tampered



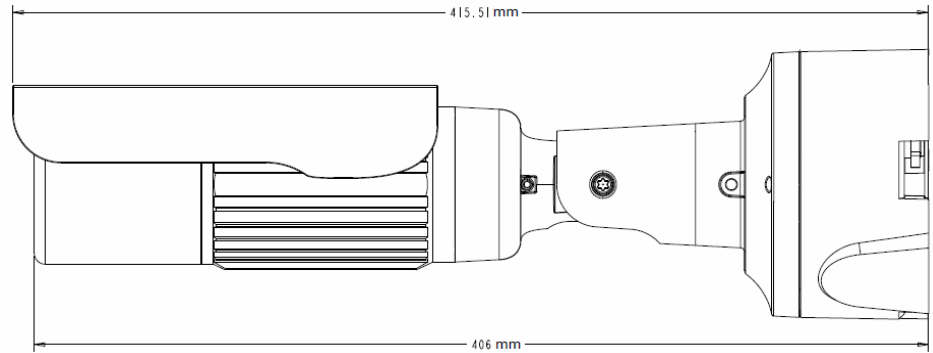
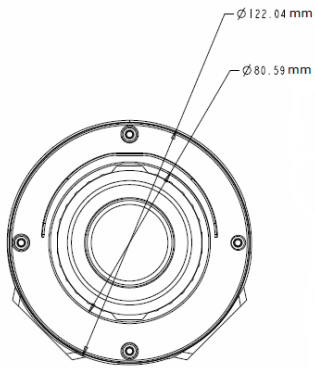
Focus Change



Camera Shift



## Dimensions



## Specifications

Camera		
Image Sensor	1/3" progressive scan super low lux CMOS	
Picture Elements	2592(H) x 1520 (V)	
Minimum Illumination	Color	0.03 Lux
	B/W	0.02 Lux
	IR ON	0 Lux
Shutter Speed	Automatic, Manual (1/5 ~ 1/16000 sec)	
White Balance	Automatic, Manual (2800K ~ 8500K)	
Gain Control	Automatic	
S/N Ratio	50 dB	
WDR Pro	Yes	
Dynamic Range	Up to 120 dB	
Lens		
Megapixel	Yes	
Day/Night	Yes (with removable IR-cut filter)	
Lens Type	Varifocal lens	
Focal Length	2.8 ~ 12 mm	
Maximum Aperture	F/1.7	
Mount	Ø 14 mm	
Horizontal FOV	102° ~ 38°	
Image Format	1/2.7"	
Operation	Focus	Manual (with lock)
	Zoom	Manual (with lock)
	Iris	P-Iris
IR LED Quantity	5 IR LEDs	
Max. IR Distance	50 m (164.04 ft)	
Operation		
Video Compression	H.265, H.264, MJPEG	
Video Streaming	Stream 1 from H.265 or H.264 Stream 2 from H.265, H.264 or MJPEG Stream 3 from H.265, H.264 or MJPEG	
Frame Rate	50 Hz: 20 fps at 2592 x 1520, 25 fps at 2560 x 1440, 25 fps at 2048 x 1520 60 Hz: 20 fps at 2592 x 1520, 24 fps at 2560 x 1440, 30 fps at 2048 x 1520 * The frame rate and the performance may vary depending on the number of connections and data bitrates (different scenes).	
Image Setting	Brightness, Contrast, Saturation, Sharpness, Gamma, White Balance, Flicker-less, Image Orientation, Shutter Speed, D/N Sensitivity, Backlight Compensation, WDR Pro, Defog, Low Lux Enhancement, Denoise, Metering	
Audio Compression	G.711, AAC (optional)	
Audio Support	Two-Way Audio	
Sensor Input	1 Input (Dry Contact)	
Alarm Output	1 Digital Output (200mA 5V DC)	

Video Resolution		
Main Stream	4 : 3	2048 x 1520, 1600 x 1200, 1280 x 960, 640 x 480
	16 : 9	2592 x 1520, 2560 x 1440 (Default), 2304 x 1296, 1920 x 1080, 1280 x 720, 640 x 360
	5 : 4	1280 x 1024, 640 x 512
Sub Stream	4 : 3	1024 x 768, 640 x 480, 320 x 240
	16 : 9	1280 x 720, 640 x 360 (Default) , 448 x 256
	5 : 4	1280 x 1024, 640 x 512, 320 x 256
Third Stream (Closed by Default)	4 : 3	640 x 480, 320 x 240
	16 : 9	640 x 360, 448 x 256
	5 : 4	640 x 512, 320 x 256
Network		
Interface	10/100 Ethernet	
Protocol	DHCP, DNS, DynDNS, FTP, HTTP, HTTPS, ICMP, IPv4, IPv6, Multicast, NTP, ONVIF (Profile S), QoS (DSCP), RTP, RTCP, RTSP, SNMP, SMTP, SSL, TCP/IP, UDP, UPnP, 3GPP/ISMA	
Mechanical		
Temperature Detector	Yes	
Camera Angle Adjustment	Pan	0° ~ 360°
	Tilt	90° ~ 180°
	Rotate	0° ~ 360°
Connectors	Power	2-pin terminal block, PoE
	Ethernet	Ethernet (10/100 Base-T), RJ-45 Cable
	Audio	1 In (microphone jack, 3.5 mm / 0.14") 1 Out (stereo phone jack, 3.5 mm / 0.14")
	Digital I/O	3-pin terminal block, pitch 2.5 mm (0.1")
	Local Storage	Micro SD card slot (SD/SDHC/SDXC/UHS-I, Class 10) * UHS-II card type is not supported.
LED Indicator	2 LEDs: Power, Status	
General		
Environment Temperature	Start-up	-20°C ~ 60°C (-4°F ~ 140°F)
	Operation	-30°C ~ 60°C (-22°F ~ 140°F)
Humidity	10% to 90% (no condensation)	
Power Source	12V DC / 24V AC / PoE (IEEE 802.3af)	
Max. Power Consumption	12.3 W	
Dimensions	Ø121.8 x 406 mm (4.79" x 15.98")	
Weight	2.14 kg (4.72 lb)	
Ingress Protection	IP67	
Vandal Resistance	IK10 for metal casing	
Regulatory	CE, FCC, RCM, RoHS compliant	
Power over Ethernet		
PoE Standard	PoE (IEEE 802.3af Power over Ethernet / PD)	
PoE Power Supply Type	End-Span, Mid-Span	
PoE Power Output	Per Port 48V DC, 350mA. Max. 15.4 watts	
Web Interface		
Installation Management	Web-based configuration	
Maintenance	Firmware upgrade through Web Browser or Utility	
Access from Web Browser	Camera Live View, Video Recording, Change Video Quality, Bandwidth Control, Image Snapshot, Audio, Picture in Picture, Picture and Picture, Privacy Mask, Text Overlay, Digital PTZ	
Language	Arabic / Bulgarian / Czech / Danish / Dutch / English / Finnish / French / German / Greek / Hebrew / Hungarian / Indonesian / Italian / Japanese / Lithuanian / Norwegian / Persian / Polish / Portuguese / Romanian / Russian / Serbian / Simplified Chinese / Slovakian / Slovenian / Spanish / Swedish / Thai / Traditional Chinese / Turkish	
Application		
Software Supported	GV-DVR / NVR (V8.7.4.0), GV-VMS (V16.11.0.0), GV-Control Center (V3.4.0.0), GV-Edge Recording Manager (V1.3.0.0), GV-Center V2 (V16.11.0.0), GV-Recording Server (V1.3.0.0), GV-Redundant / Failover Server (V1.1.0.0)	
Network Storage	GV-DVR / NVR / VMS, GV-Recording Server	
Smart Device Access	GV-Eye for iOS and Android	
Live Viewing	Browser (IE, Chrome, Firefox, Safari), Mobile App	
CMS Server support	GV-Control Center, GV-Center V2, GV-Vital Sign Monitor	

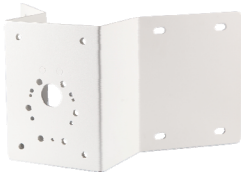
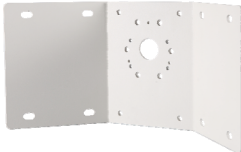




**Note:**


1. Mind the following when using an inserted memory card for recording:
  - Recorded data on the memory card can be damaged or lost if the data are accessed while the camera is under physical shock, power interruption, memory card detachment or when the memory card reaches the end of its lifespan. No guarantee is provided for such causes.
  - To avoid power outage, it is highly suggested to apply a battery backup (UPS).
  - For better performance, it is highly suggested to use Micro SD card of MLC NAND flash, Class 10.
  - Replace the memory card when its read/write speed is lower than 6 MB/s or when the memory card is frequently undetected by the camera.
2. Specifications are subject to change without prior notice.

### Packing List

- |   |  |
|---|--|
| <ol style="list-style-type: none"> <li>1. H.265 Bullet Camera</li> <li>2. Stand Kit (Conduit Converter, PG21 Conduit Connector, RJ-45 Connector, M3 Screw x 2, Cable Tie)</li> <li>3. Sun-Shield Cover Kit (Sun-Shield Cover, Philips Head Screws x 2, Plastic Screw Spacers x 2, Hexagon Screws x 2)</li> <li>4. Mounting Kit (M4 Screw x 3, Nut x 3, Plate x 3)</li> <li>5. Screw Anchor x 3</li> <li>6. Screw for Mounting Kit x 3</li> <li>7. Hex Wrench</li> </ol> | <ol style="list-style-type: none"> <li>8. 4 mm Wrench</li> <li>9. 2.5 mm Wrench</li> <li>10. Silica Gel Bag x 2</li> <li>11. Ruler</li> <li>12. Installation Sticker</li> <li>13. Download Guide</li> <li>14. Warranty Card</li> </ol> |
|---|--|

### Accessories

Model No.	Name		Details
GV-Mount300-1	Convex Corner Adapter Kit		Dimensions: 238.6 x 395.2 x 210 mm (9.4" x 15.5" x 8.2") Weight: 4.27 kg (9.41 lb)
GV-Mount310-1	Concave Corner Adapter Kit		Dimensions: 111.2 x 369.9 x 210 mm (4.37" x 14.5" x 8.2") Weight: 2.96 kg (6.53 lb)
GV-Mount400-1	Pole Mount Bracket Kit (Ø 4" ~ 6")		Dimensions: Bracket: 68.4 x 240 x 163 mm (2.69" x 9.44" x 6.41") Weight: 1.70 kg (3.75 lb) Steel Strap Diameter: Ø 4" ~ 6"
GV-Mount410-1	Pole Mount Bracket Kit (Ø 6" ~ 7.5")		Dimensions: Bracket: 68.4 x 240 x 163 mm (2.69" x 9.44" x 6.41") Weight: 1.70 kg (3.75 lb) Steel Strap Diameter: Ø 6" ~ 7.5"
I/O Cable	I/O Cable		The I/O cable is a multi-connector providing I/O, DC 12V power, and audio connectivity for the camera. Length: 106.8 cm (3.5 ft)
GV-PA191 PoE Adapter	Power over Ethernet (PoE) Adapter		The GV-PA191 is a Power over Ethernet (PoE) adapter designed to provide power to the IP device through a single Ethernet cable.

Model No.	Name	Details
GV-Relay V2	GV-Relay V2	 <p>The GV-Relay V2 is designed to expand the voltage load of GV IP devices. It provides 4 relay outputs, and each can be set as normally open (NO) or normally closed (NC) independently as per your requirement.</p>
GV-POE Switch		<p>The GV-POE Switch is designed to provide power along with network connection for IP devices. The GV-POE Switch is available in various models with different numbers and types of ports.</p>
Power Adapter		<p>Contact our sales representatives for the countries and areas supported.</p>